

Dry Test Meters



The Dry Test Meters are used for field or laboratory testing of various hydrocarbon or other non-corrosive gases to obtain highly accurate volume measurements.

Features

- One-piece, die-cast aluminum body
- 6-inch circular dial, large sweep hand and four totalizing hands
- Molded, convoluted diaphragms for smooth operation and long life
- Rigid, reinforced flag rods for positive alignment and sustained accuracy
- Graphite-filled phenolic valves to minimize wear
- Long-life, low friction, grommet seals
- Single coat polyester primer with high solids polyurethane top coat
- Carrying handle

Advantages

- Directional rotation is the same for all hands thus limiting possible error
- Valve motion and related parts eliminates the angular errors of working parts

Applications

Elster American Meter Dry Test Meters are used for field or laboratory testing of gas unsaturated with water vapor.

Options

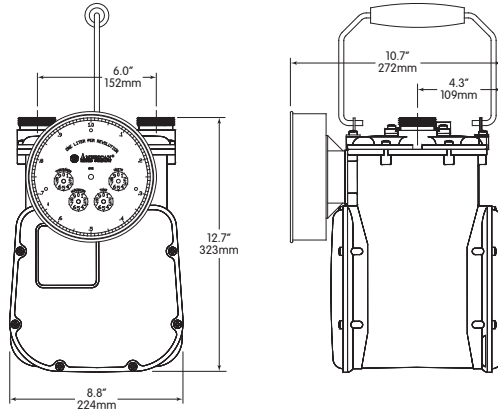
- 6 point high end accuracy curve
- 6 point low end accuracy curve
- Both high and low end accuracy curves
- Certificate of Accuracy
- Dial pressure gage
 - DTM-200A
 - 0-5 PSIG (0 - 34 kPa)
 - DTM-325
 - 0 - 15 PSIG (0-100 kPa)
- Dial type thermometer
 - DTM-200A
 - -40°F to 160°F (-40°C to 70°C)
 - DTM-325
 - -40°F to 160°F (-40°C to 70°C)
- Special Indexes
 - 1/10 cubic foot/rev (DTM 200A)
 - 1 cubic foot (DTM-200A and DTM-325)
 - 1 Liter (DTM-200A)
 - 10 Liter (DTM-200A and DTM-325)
 - 100 Liter (DTM-200A and DTM-325)



elster
American Meter

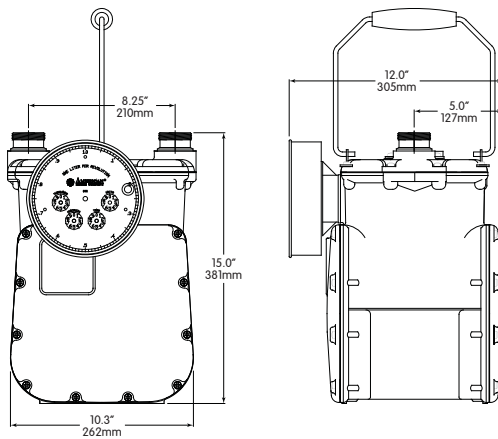
Dry Test Meter 200A

Weight = 14 lbs



Dry Test Meter 325

Weight = 23 lbs



Models 200A and 325

Modifications of standard aluminum case meters resulted in a highly accurate measuring device individually calibrated for optimum performance. Friction mounted sweep hands with a choice of dial capacities monitor gas flows with uncommon precision.

| Model | Dial Resolution | Capacity |
|----------|-----------------|----------|
| DTM-200A | 1/10 Cubic Foot | 200 CFH* |
| DTM-200A | 1 Cubic Foot | 200 CFH* |
| DTM-200A | 1 Liter | 5600 LH* |
| DTM-200A | 10 Liter | 5600 LH* |
| DTM-200A | 100 Liter | 5600 LH* |
| DTM-325 | 1 Cubic Foot | 325 CFH* |
| DTM-325 | 10 Liter | 9200 LH* |
| DTM-325 | 100 Liter | 9200 LH* |

*Air @ 1/2" W.C. diff.

Ordering Information

Model
Type of Index
Options

Pressure Gage
Temperature Gage
Accuracy Curves

About Elster Group

A world leader in advanced metering infrastructure, integrated metering, and utilization solutions to the gas, electricity and water industries. Elster's metering and system solutions reflect over 170 years of knowledge and experience in measuring precious resources and energy.

Elster provides solutions and advanced technologies to help utilities more easily, efficiently and reliably obtain and use advanced metering intelligence to improve customer service, enhance operational efficiency, and increase revenues. Elster's AMI solutions enable utilities to cost-effectively generate, deliver, manage, and conserve the life-essential resources of gas, electricity, and water.

Elster has a staff of over 7,500 serving customers globally in North America, Central America, South America, Europe, Asia, Africa and the Middle East.

ISO 9001:2000



Certification No. 006697

Elster American Meter
2221 Industrial Road
Nebraska City, NE
68410
USA

T +1 402 873 8200
F +1 402 873 7616

www.elster-americanmeter.com

Elster Canadian Meter

T +1 519 650 1900
F +1 519 650 1917

www.elster-canandianmeter.com

© 2009 Elster American Meter. All right reserved

EAM-DS7510.5-EN-P - February 2009
Supersedes SB-7510.4