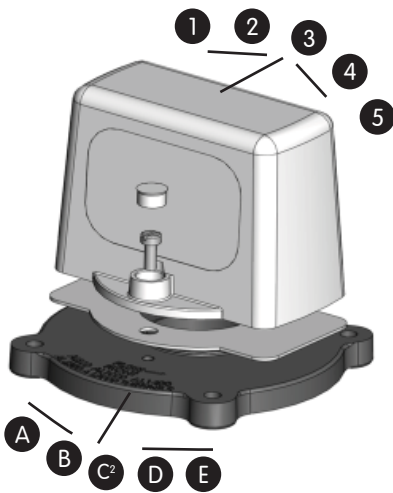
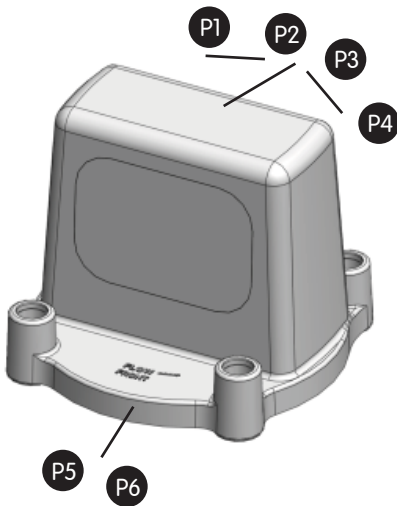


Commercial & Industrial Meter Index Box Options

Parts List



2 Piece Design
(shown without Security Seal Towers)



1 Piece design
(shown with Security Seal Towers)

Diaphragm Meters¹

Item	Description	Part Number	Security Seal Tower	UV	
2 Piece Design	A	Base Plate	48828P034	Yes	
	B	Base Plate	48828P038	No	
	C ²	Base Plate	48828P004	No	
1 Piece Design ⁴	1	Index Box	21359P014	Std	
	2	Index Box	21359G002	High	
	3	Index Box	10351G012	Std	
	P1	Index Box	21359P020	Yes	Std
	P2	Index Box	21359P021	Yes	High
	P3	Index Box	21359P022	No	Std
	P4	Index Box	21359P023	No	High

Turbine Meters³

Item	Description	Part Number	Security Seal Tower	UV	
1 Piece Design ⁴	2 Piece Design	D	Base Plate	48828P040	Yes
		E	Base Plate	48828P042	No
	4	Index Box	21359P014	Std	
	5	Index Box	21359G002	High	
	P5	Index Box	21359P025	No	High
	P6	Index Box	21359P027	Yes	High



elster
American Meter

Remote Device Compatibility

Remote Reader	2 Piece Index Box Design	1 Piece Index Box Design
ltron Commercial ERT Elster Commercial Trace VRT Badger	A, B, C 1, 2, 3	P1, P2, P3, P4
Elster Energy Axis Elster Commercial Trace	B, C 1, 2, 3	P3, P4
Aclara STAR® Network MTU (Hexagram)	B, C 1, 2, 3	Not Available
Landis+Gyr (CellNet)	B, C (CellNet-supplied index box)	Not Available
Elster Remote Volume Pulser	A, B, C 1, 2, 3	Not Available

1. Models AL-800, AL-1000, AL-1400, AL-2300, and AL-5000.
2. Base Plate is metal.
3. Models GT, GTS, GTX and AccuTest.
4. The index is limited to front-facing only on diaphragm meters and can't be rotated 180 degrees to face towards the back of the meter.

About Elster Group

A world leader in advanced metering infrastructure, integrated metering, and utilization solutions to the gas, electricity and water industries. Elster's metering and system solutions reflect over 170 years of knowledge and experience in measuring precious resources and energy.

Elster provides solutions and advanced technologies to help utilities more easily, efficiently and reliably obtain and use advanced metering intelligence to improve customer service, enhance operational efficiency, and increase revenues. Elster's AMI solutions enable utilities to cost-effectively generate, deliver, manage, and conserve the life-essential resources of gas, electricity, and water.

Elster has a staff of over 7,500 serving customers globally in North America, Central America, South America, Europe, Asia, Africa and the Middle East.

ISO 9001:2000



Certification No. 006697

Elster American Meter
2221 Industrial Road
Nebraska City, NE
68410
USA

T +1 402 873 8200
F +1 402 873 7616

www.elster-americanmeter.com

Elster Canadian Meter

T +1 519 650 1900
F +1 519 650 1917

www.elster-canandianmeter.com

© 2009 Elster American Meter. All right reserved

EAM-RPL3809-EN-P - December 2009